



VIPER-BLASTER™

Transforming Dart Blaster with Targeting Sight!

Ages 6 and up
70296

Important: Please save this instruction sheet. It contains valuable product information.

EXTENDING AND COLLAPSING THE VIPER-BLASTER

- **Extended Mode:** To extend the barrel, pinch the buttons on the FRONT GRIP with your thumb and forefinger. (Fig. 1) Pull until it is fully extended (you will hear a click). To open the EXTENDABLE SHOULDER STOCK, pull the stock until it pops out and is fully extended.
- **Collapsed Mode:** To collapse the barrel, pinch the buttons on the front grip with your thumb and forefinger. (Fig. 1) Push until it is fully collapsed (you will hear a click). To collapse the shoulder stock, fold it into the handle until it clicks into place. (Fig. 2)

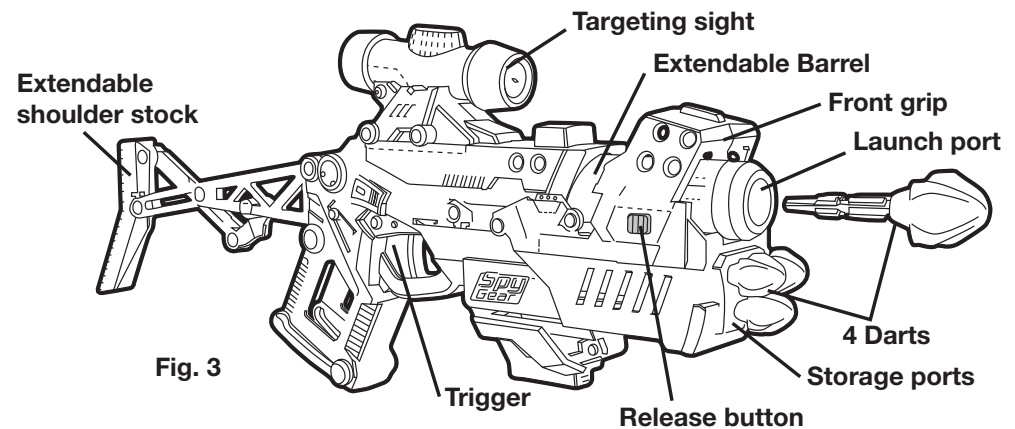
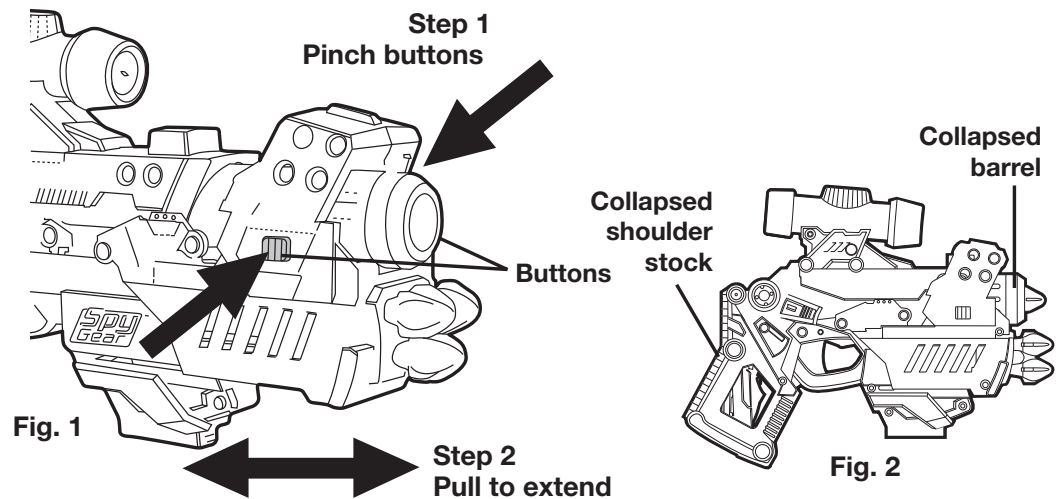
Tip: Shoot darts in Collapsed Mode to engage in split-second defense tactics. Use Extended Mode for long-range targeting.

TARGETING SIGHT

Look through the targeting sight to aim your shot when the Viper-Blaster is extended or collapsed.

DARTS

- **Shooting Darts:** Insert one dart into the LAUNCH PORT until it locks into place. Press TRIGGER on handle to fire.
- **Storing Darts:** Store up to three darts in the STORAGE PORTS located beneath the launch port. (Fig. 3)



VIPER-BLASTER 70296-4000 PS 05/09

IF YOU HAVE ANY QUESTIONS, PLEASE CONTACT US AT
1-800-247-6570
WILDPLANET.COM/HELP
Wild Planet Entertainment, Inc., P.O. Box 194087
San Francisco, CA 94119-4087

