



MULTI-TOOL X-6

The Ultimate Handheld Spy Tool
With 6 Integrated Gadgets!

Ages 6 and Up
70233

Important: Please save this instruction sheet. It contains valuable product information.

Operation

- Press the **Red Buttons** on the top of the body to activate the **Red and Green LED Lights**.
- The **Removable Tweezers** swing out from the left side of the body. The tweezers can be removed by snapping them from the Multi-Tool X-6 body.
- The **Whistle** swings out from the right side of the body.
- The **Flip-up Belt Clip** swings out from the top of the body.
- The **Disc Launcher** is located on the underside of the body. Open the triggers as shown and slip the disc into the slot. Squeeze the **Triggers** together to launch the disc up to 15 feet! Store the **Disc** fitted over the **Spy-Scope Lens** when not in use as shown in Fig. 1.
- The Multi-Tool X-6 body opens as shown in Fig. 2, creating the **2X Magnification Scope**. Remember that the spare disc cannot be stored when using the scope feature.
- To use the **Compass**, set the Multi-Tool X-6 on a level surface, or hold it level so that the indicator spins freely. The indicator will always point to North, allowing you to determine which direction you want to take on your adventures.

Attention Adults: To Replace The Batteries

- Requires two 357 button-cell (LR44) batteries, included.
- Use a small Phillips screwdriver to loosen the screw on the battery compartment cover, Fig. 3.
- NOTE: Screws will not detach from battery compartment cover.
- Remove the cover.
- Place the batteries in the compartment as shown.
- Replace battery compartment cover and tighten screws.

Battery Safety Information

- Only adults should install and replace batteries.
- Do not recharge non-rechargeable batteries.
- Remove dead or exhausted batteries.
- Insert batteries correctly. Match positive and negative signs.
- The supply terminals are not to be short circuited.
- Do not use rechargeable batteries.
- Do not mix alkaline, standard (carbon-zinc), or rechargeable (nickel-cadmium) batteries.
- Do not mix old and new batteries.
- Only the batteries of the same or equivalent type are recommended to be used.
- Do not dispose batteries in a fire; they may explode.
- Dispose of batteries safely.

Caution! Viewing the sun can cause permanent eye damage. Do not view the sun with this product or even the naked eye.

Caution! Do not aim disc launcher at eyes or face. To avoid injury: use only discs designed for this product. Do not modify discs or Multi Tool X-6.

WARNING:

**CHOKING HAZARD: Small Parts.
Not for Children Under 3 Years.**

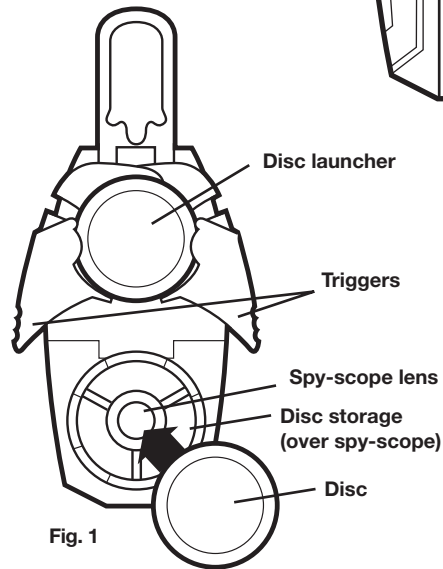
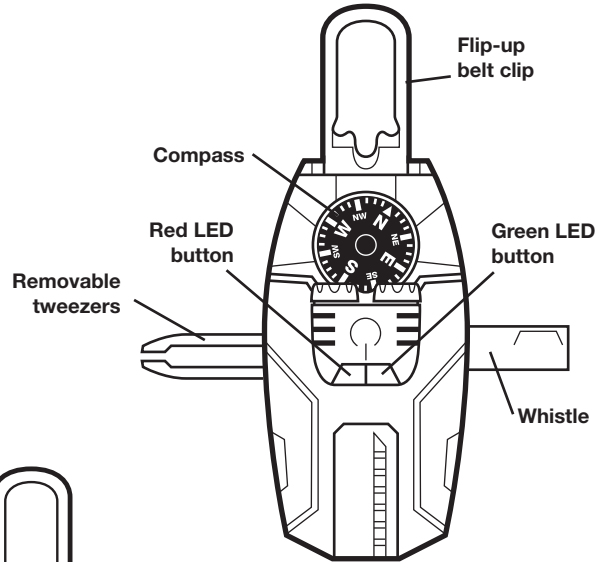


Fig. 1

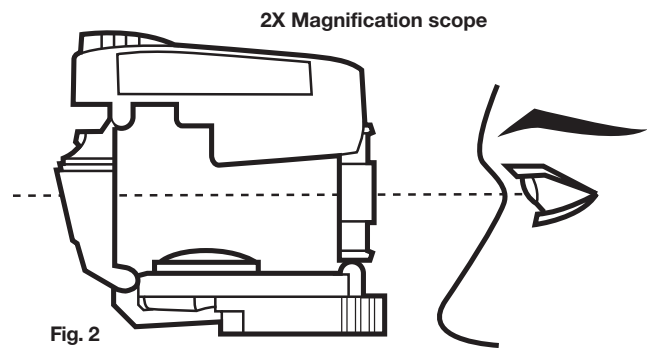


Fig. 2

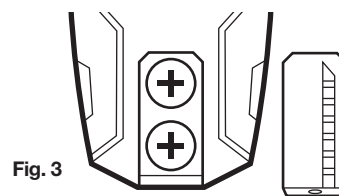


Fig. 3

Battery replacement



MULTI-TOOL X-6 70233-4000 PS 05/08
IF YOU HAVE ANY QUESTIONS, PLEASE CONTACT US AT
1-800-247-6570
WILDPLANET.COM/HELP
Wild Planet Entertainment, Inc., P.O. Box 194087
San Francisco, CA 94119-4087

© 2007 Wild Planet Entertainment, Inc., San Francisco, CA 94104, USA.
All rights reserved. **PRINTED IN CHINA.**

Product specifications subject to change.