



# SPY VIDEO ATV-360™

RC ATV WITH REAL-TIME VIDEO & LISTENER!

Ages 8 and up  
70241

**Important: Please save this instruction sheet. It contains valuable product information.**

Spy Gear Consumer Service is ready to assist you!  
**DO NOT RETURN THE PRODUCT TO THE STORE!**  
USE OUR TOLL-FREE CONSUMER HELPLINE  
**1-800-247-6570**  
**WILDPLANET.COM/HELP**

### PREPARING TO DRIVE THE SPY VIDEO ATV-360

1. ADULTS: Install the **BATTERIES** in the **SPY VIDEO ATV-360** and **REMOTE CONTROL**, Fig. 6 (see other side for directions).
2. Turn on the Spy Video ATV-360 using the **ON/OFF CONTROL** located on the bottom of the Spy Video ATV-360 near the rear. (Fig. 6)
3. Use the on/off control to turn on the remote control. (Fig. 1)
4. Put on the **SPY HEADSET** so the **VIDEO SCREEN** is in front of your right eye.
5. Use the larger **VIDEO FEED PLUG** to connect the **VIDEO FEED CORD** from the spy headset to the remote control. (Fig. 2)
6. Use the smaller **AUDIO FEED PLUG** to connect the **AUDIO FEED CORD** from the **EARBUD** to the remote control. (Fig. 2)

### DRIVING WITH THE REMOTE CONTROL

- The **RIGHT TREAD CONTROL** operates the forward and reverse movement of the right tread. And the **LEFT TREAD CONTROL** operates the forward and reverse movement of the left tread.
- To go forward, you push both controls forward.
- To go in reverse, push both controls backward.
- To turn right, push only the left control forward.
- To turn left, push only the right control forward. You can speed up the turning by moving the other tread backwards at the same time. For example, to turn right quickly, push the left control forward and the right control backwards.
- Use the **360-DEGREE BUTTON** to quickly rotate the Spy Video ATV-360 one full 360-degree revolution. Press the button again during the 360 to stop it.

### SEEING & DRIVING WITH YOUR SPY VIDEO ATV-360

- Make sure the power for both the Spy Video ATV-360 and the remote control is ON.
- Put on your spy headset and look into the video screen. You will see what the camera on the Spy Video ATV-360 is seeing.
- Looking into the screen on the headset, use the remote control to drive the Spy Video ATV-360 into places where you cannot see.
- Use the screen in the headset to make sure the Spy Video ATV-360 does not run into anything and to see all the action going on in other places.
- The **VIDEO CAMERA** adjusts up and down to give you a wider field of vision. (Fig. 3) Remember to adjust the camera before you send the Spy Video ATV-360 on a mission.

### LISTENING WITH YOUR SPY VIDEO ATV-360

- Put the earbud in your ear and you will hear whatever the Spy Video ATV-360 hears.
- The earbud only works whenever the Spy Video ATV-360 is stopped. It shuts off whenever the Spy Video ATV-360 is in motion.

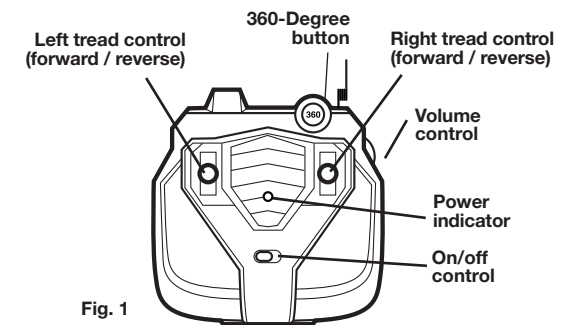
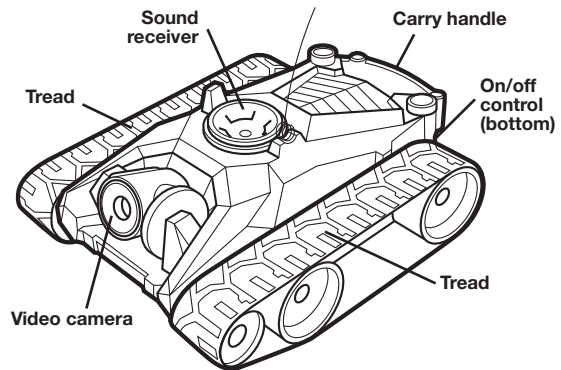


Fig. 1



Fig. 2

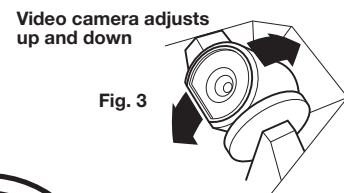


Fig. 3



Fig. 4

### SAFETY

- Don't drive the Spy Video ATV-360 in sand or through water (even small puddles) or snow. (Fig. 4)
- To avoid damage to the video camera or internal electronics, do not drive the Spy Video ATV-360 off large curbs or drop offs. (Fig. 5)
- Don't store the vehicle or remote near heat or in direct sunlight.
- Always turn switches OFF and remove all batteries for storage.
- Warning! Use under the direct supervision of an adult.
- Never drive the Spy Video ATV-360 on real streets.
- Keep fingers, hair, and loose clothing away from the treads while the vehicle is switched on.
- With the video screen flipped down, your vision is impaired.
- Flip the screen UP when walking or moving.
- Never run while wearing the video headset, especially in the dark.
- The remote control is designed to only work with the included headset and ear bud. To prevent damaging remote control, do not substitute other plugs.

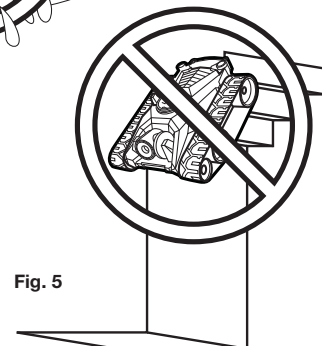


Fig. 5

## BATTERY INFORMATION

The Spy Video ATV-360 uses 12 AA batteries (6 for the car and 6 for the remote), not included.

### ATTENTION ADULTS: TO INSTALL BATTERIES

1. Use a small Phillips head screwdriver to loosen the screws on the battery compartment of both the ATV and the remote. The screws will not fall out.
2. Open battery cover. Remove exhausted batteries.
3. Place new batteries in compartment as shown in Fig. 6 and 7.
4. Replace the battery cover and tighten screw.

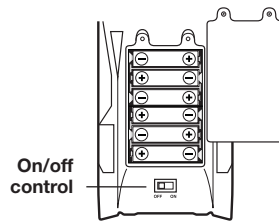


Fig. 6

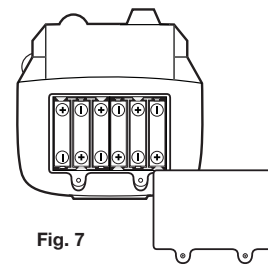


Fig. 7

### BATTERY SAFETY INFORMATION

- Only adults should install and replace batteries.
- Do not recharge non-rechargeable batteries.
- Remove dead or exhausted batteries.
- Insert batteries correctly. Match positive and negative signs.
- The supply terminals are not to be short-circuited.
- Do not use rechargeable batteries.
- Do not mix alkaline, standard (carbon-zinc), or rechargeable (nickel-cadmium) batteries.
- Do not mix old and new batteries.
- Only the batteries of the same or equivalent type recommended to be used.
- Do not dispose batteries in a fire; they may explode.
- Dispose of batteries safely.

Warning! Changes or modifications to this unit not expressly approved by the party responsible for compliance could void the user's authority to operate the equipment.  
 FCC ID N3EVIDEOATV70241T and FCC ID N3EVIDEOATV70241R  
 This device complies with part 15 of the FCC Rules. Operation is subject to the following two conditions: (1) This device may not cause harmful interference, and (2) this device must accept any interference received, including interference that may cause undesired operation.  
 NOTE: This unit has been tested and found to comply with the limits for a Class B digital device, pursuant to Part 15 of the FCC Rules. These limits are designed to provide reasonable protection against harmful interference in a residential installation. This unit generates, uses, and can radiate radio frequency energy and, if not installed and used in accordance with the instructions, may cause harmful interference to radio communications. However, there is no guarantee that interference will not occur in a particular installation. If this unit does cause harmful interference to radio or television reception, which can be determined by turning the unit off and on, the user is encouraged to try to correct the interference by one or more of the following measures:

- Reorient or relocate the receiving antenna.
- Increase the separation between the unit and receiver.
- Connect the unit into an outlet on a circuit different from that to which the receiver is connected.
- Consult the dealer or an experienced radio TV technician for help.

### TROUBLESHOOTING GUIDE

SYMPTOM	PROBABLE CAUSE	SOLUTION
The Spy Video ATV-360 will not operate.	The batteries are dead or have a low charge.	Replace the batteries and always remember to turn off the power switches on the Spy Video ATV-360 and remote control to save battery life when not in use.
	The batteries may not be installed correctly.	Make sure the battery direction (polarity, +/-) is correct.
	Power switches are OFF.	Make sure the power on the remote control and the Spy Video ATV-360 is ON.
The Spy Video ATV-360 slows down or the video screen starts to fade.	The batteries are dead or have a low charge.	Replace the batteries and always remember to turn off the power switches on the Spy Video ATV-360 and remote control to save battery life when not in use.
	The Spy Video ATV-360 is getting out of range.	Try holding the remote control higher above the ground. If that does not work, move closer to the vehicle.
There is no image on the video screen.	The headset may not be properly connected to the remote control.	Make sure the headset cord connects into the video feed plug in the remote control.
	Power switches are OFF.	Make sure the power on the remote control and the Spy Video ATV-360 is ON.
The Spy Video ATV-360 is moving about erratically, not under the control of the remote.	You are playing near areas with radio interference, other RC vehicles, high-tension wires, large buildings, CB radios.	Move to a new location.
	The Spy Video ATV-360 is out of range.	Try holding the remote control higher above the ground. If that does not work, move closer to the Spy Video ATV-360.
	The batteries have a low charge.	Replace the batteries and always remember to turn off the power switches on the Spy Video ATV-360 and remote control to save battery life when not in use.
	The remote control antenna is not sending clear signals.	Point the remote control antenna up in the air, not at the Spy Video ATV-360. Do not touch the antenna.
No sound in earbud while the Spy Video ATV-360 is in motion.	The listener is designed to shut off while the ATV is in motion.	Stop the Spy Video ATV-360 and then listen.
No sound, even when stopped.	The earbud may have become disconnected.	Make sure the earbud connector is plugged into the remote.
No sound.	The volume dial is turned down too low.	Turn the volume dial clockwise to increase the volume.

#### Warranty Information:

Wild Planet Entertainment manufactures all of its products to the highest quality standards. We encourage you to take good care of your Spy Video ATV-360 and follow all the instructions carefully.

As a leader in quality products for kids, Wild Planet Entertainment guarantees the Spy Video ATV-360 to the original consumer purchaser against any manufacturing defects under normal use for 90 days from the date of purchase. In the event of a defect covered under this warranty, please call the toll-free number listed on the instruction sheet. Many problems can be solved by talking to our customer service department.

If necessary, you will be instructed to return your Spy Video ATV-360 postage pre-paid and insured to the Wild Planet Entertainment Service Center. Wild Planet Entertainment will repair or replace your Spy Video ATV-360 if it meets the terms of this warranty. You will need to include your name, address, a sales slip with the proof of purchase date and a brief explanation of the product defect. Replacement and return shipment will be free of charge. This warranty is exclusive and is made in lieu of any express or implied warranty.

This warranty does not cover broken parts or damage resulting from unauthorized modification, accident, abuse or misuse. If the product is returned without a dated sales receipt or if the product is returned outside of the warranty period, the product will not be covered under this warranty.



SPY VIDEO ATV-360 70241-4000 PS 5/08  
 IF YOU HAVE ANY QUESTIONS, PLEASE CONTACT US AT  
 1-800-247-6570  
 WILDPLANET.COM/HELP  
 Wild Planet Entertainment, Inc., P.O. Box 194087  
 San Francisco, CA 94119-4087

© 2007 Wild Planet Entertainment, Inc., San Francisco, CA 94104, USA.  
 All rights reserved. **PRINTED IN CHINA.**