



**Girls Living in Style*

Dazzlin' Doorway™

Fashion curtain with sound effects

Ages 8 and Up
85000

Important: Please save this instruction sheet. It contains valuable product information.

ADULTS: TO ASSEMBLE THE DAZZLIN' DOORWAY

1. Install the batteries (see Battery Info below for directions).
2. Align left and right end rods with the centerpiece.
3. Hold centerpiece and press ends on until they click into place.

ADD THE PRINTED INSERT

4. Bend and tuck the printed insert into slot A, then slot B and then slot C (Fig. 1).
5. Press printed insert to firmly secure it.
6. To change the insert, use fingernail or other flat object in slot over speaker holes. Lift up and remove insert. Repeat steps 4 and 5.

INSTALL DAZZLIN' DOORWAY OVER YOUR DOOR

7. Insert controller cord into the recess on backside of the header (Fig. 2). Note which direction your door opens: it's best to run the controller alongside the doorknob, not the hinges. (In example shown, cord exits on the left side for right-hand opening door.)
8. Hold the header over your door and center it.
9. Insert screws (included) into holes at the ends and fasten securely to wall or frame.
10. Plug the controller cords together. They will only connect the correct way (Fig. 3).

ADD CURTAIN STRIPS

11. Remove curtain strips from their packages and unroll. (Vinyl strips may be wrinkled when unpacked. They will straighten out after hanging for a few days.)
12. With the grooved side facing out, line up the posts at the top of the plastic strip with the square holes in the hanger (Fig. 4). Press upward to secure.
13. Match the remaining single strips to their side.
14. Now your Dazzlin' Doorway is ready to go!

KIDS: RECORD YOUR PERSONAL MESSAGE

1. Slide controller mode switch to the leftmost (OFF) position (Fig. 5).
2. Press and hold the RECORD button until you hear a beep.
3. Continue holding the button while speaking your message or recording your favorite sound effect (the microphone is built into the controller).
4. You can record up to six seconds of sound.
5. When button is in OFF/RECORD mode, press PLAY to hear your recorded message.

TO SELECT PLAYBACK: WHEN SOMEONE ENTERS/EXITS

1. Move the mode switch to the middle position to play your recorded message.
2. Move the mode switch to the right to play the "cheering crowd" sound.
3. For silent operation, turn Dazzlin' Doorway OFF by moving the mode switch to the left.

Battery Info

Requires three (3) AAA (LR3) batteries (not included).

ADULTS: To Replace Batteries

1. Remove printed insert from header.
2. Use a small Phillips head screwdriver to loosen the screw in the battery compartment door (Fig. 6). NOTE: Screw will not detach from battery compartment when loosened.
3. Remove the exhausted batteries.
4. Insert 3 new batteries as shown by battery markings.
5. Replace the battery door and tighten screw.
6. Replace printed insert.

Battery Safety:

- Only adults should install and replace batteries.
- Do not recharge non-rechargeable batteries.
- Remove dead or exhausted batteries.
- Insert batteries correctly. Match positive and negative signs.
- Do not place anything across the battery terminals.
- Only use the batteries specified above.
- Do not use rechargeable batteries.
- Do not mix alkaline, standard (carbon-zinc), or rechargeable (nickel-cadmium) batteries.
- Do not mix old and new batteries.
- Do not dispose batteries in a fire; they may explode.
- Dispose of batteries safely.



DAZZLIN' DOORWAY 85000-4000-G1 PR 06/04

IF YOU HAVE ANY QUESTIONS, PLEASE CONTACT US AT
1-800-247-6570
WWW.WILDPLANET.COM
©2003 Wild Planet Toys, Inc.
P.O. Box 194087 San Francisco, CA 94119-4087

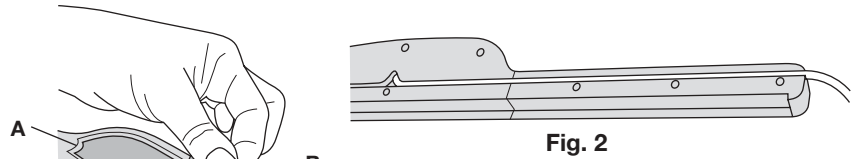


Fig. 1

Fig. 2

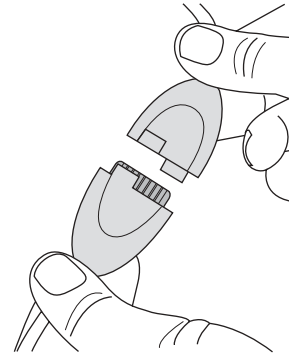


Fig. 3

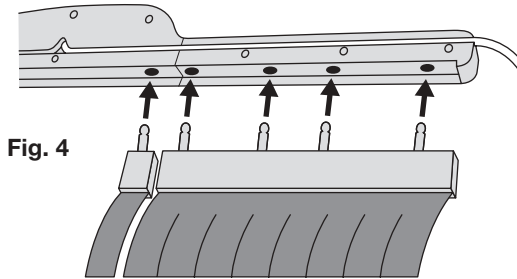


Fig. 4

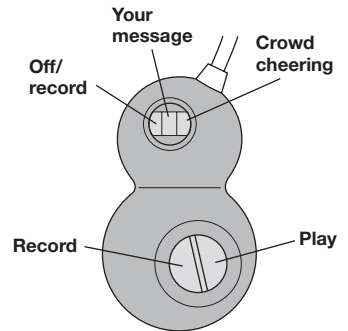


Fig. 5

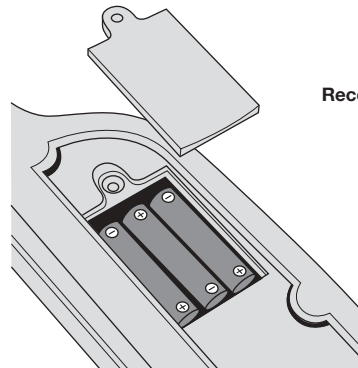


Fig. 6

 **WARNING:**

**CHOKING HAZARD: Small Parts.
Not for Children Under 3 Years.**