



SPY LISTENER

Ages: 6 and up

Micro Listening Device On Sunglasses XTREME GEAR FOR PRO SPIES

Important: keep these instructions. Do not discard

- One LR44 (AG13 equivalent) button cell battery required (battery included).
- Only adults should install and replace batteries.
- Alkaline battery recommended for longer life.
- Do not use rechargeable battery.
- Do not recharge non-rechargeable battery.
- Remove exhausted battery from the toy.
- Insert battery with the correct polarity.
- Do not short-circuit the battery supply terminals.
- Only battery of the same or equivalent type recommended for use.

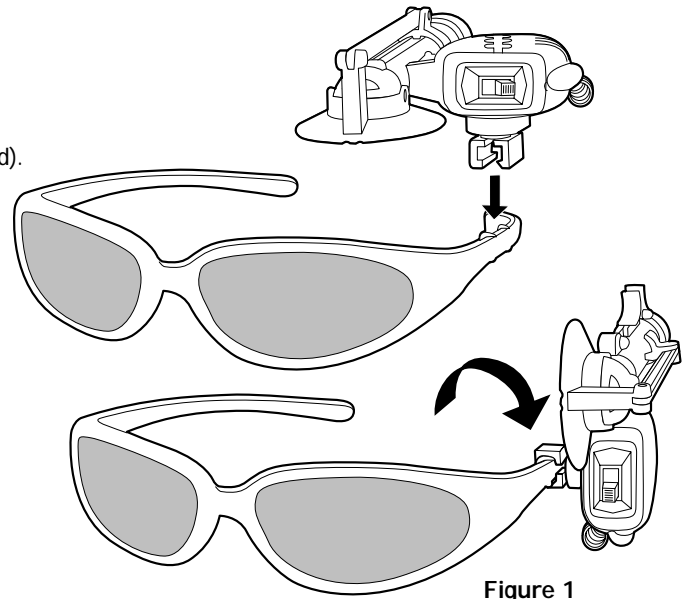


Figure 1

SPY LISTENER FEATURES

- Electronic listening device picks up sounds up to 30 ft. away
- Spring-loaded sound dish
- Activation knob to spring sound dish into position
- Foam padded headphone earpiece
- On/off switch to conserve battery life
- Sunglasses with cool blue protective UV lenses
- Automatic volume limiter to protect against very loud sounds
- Battery included

To Activate The Spy Listener:

Boost your ear power to hear sounds and voices up to 30 feet away

1. Clip the Spy Listener device onto the left arm of the sunglasses and rotate downward to lock into place (see Figure 1). The Sound Dish should be facing forward.
2. Slip the secret Earpiece into your ear. (see Figure 2)
3. Slide the On/Off Switch upward to activate the Spy Listener (see Figure 3).
4. Twist the Activation Knob to your left to launch the Sound Dish into position (see Figure 4).
5. For optimum sound quality, look in the direction sound is coming from.
6. To retract the Sound Dish into the closed position, pull the Sound Dish Lever with your left hand all the way back until the Sound Dish locks in the closed position (see Figure 5). (You will hear a click)
7. When finished listening, remove the earpiece from your ear and clip the earpiece to the slot at the rear of the Micro Listening Device (see Figure 6). then slide the on/off switch downwards
8. your spy listener sunglasses can be worn without the electronic listening device. simply remove the Spy Listener device from the sunglasses by rotating upward to unlock and then unclipping.(see Figure 1)

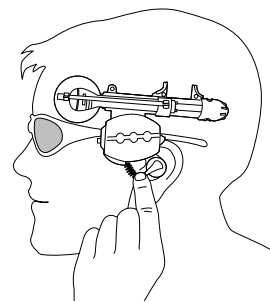


Figure 2

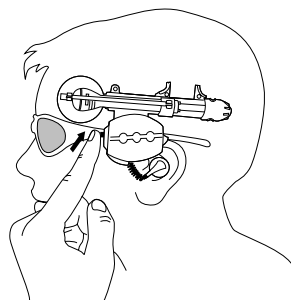


Figure 3

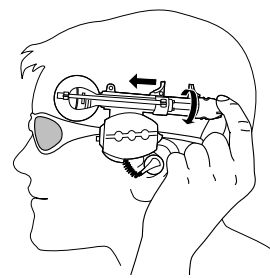


Figure 4

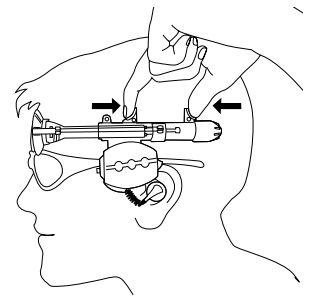


Figure 5

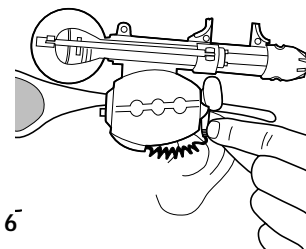


Figure 6

Use Your Spy Listener At Different Events:

Sports Events, Concerts, Camping/Hiking, School, Parks, Parties, Spy clubs

PARENTS: To Replace Battery:

The Spy Listener requires one LR44 button cell battery (included).

1. Carefully unclip the entire Spy Listener device from sunglasses (see Figure 7).
2. With a small Phillips screwdriver, loosen the screw on the battery door (see Figure 8).
3. Lift up the battery door to remove.
4. Remove the old battery and discard properly.
5. Insert the new battery per the polarity markings in the battery compartment. (see Figure 9)
6. Replace the battery door and tighten the screw back into place.

NOTE: The Spy Listener includes an automatic volume limiter to protect against very loud sounds.

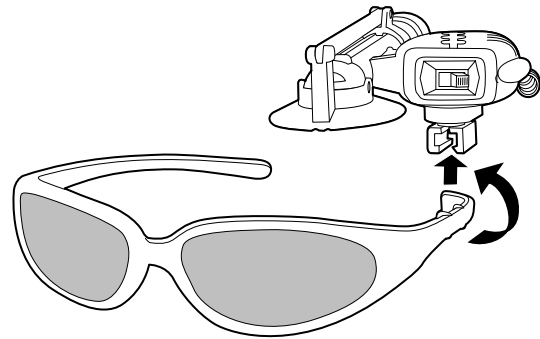


Figure 7

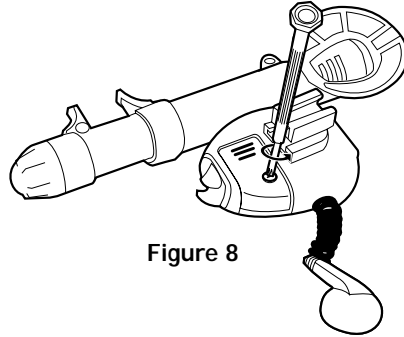


Figure 8

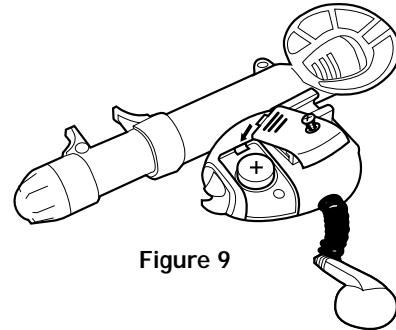


Figure 9

SPY LISTENER
70039-4000 PR 4/11/01
Wild Planet Toys, Inc.

If you have any questions please contact us:
1-800-247-6570
www.wildplanet.com

⚠ WARNING:

CHOKING HAZARD: Small Parts Not for Children Under 3 Yrs.