

**Important: Please save this instruction sheet. It contains valuable product information.**

### TO USE THE SPY NIGHT SCOPE

1. Look through the **EYEPIECES** and rotate the **FOCUS WHEEL** until the image becomes sharp.

### TO USE THE POP-UP SPOTLIGHT

1. While looking through the eyepieces, slide the **STEALTH LIGHT SWITCH** on the right side towards the center of the scope.
2. The **POP-UP SPOTLIGHT** will pop up, and the spotlight will turn on.
3. To turn the spotlight off, gently push the Pop-up spotlight down until it clicks back into place (Fig. 1).

### TO USE THE STEALTH LIGHT

1. Make sure that the Pop-up spotlight is pushed down and held in place.
2. Slide the switch on the left side of the Spy Night Scope towards the center of the scope (Fig. 2).
3. To turn the Stealth light off, slide the switch away from the center of the scope.

### BATTERY SAFETY INFORMATION

- Only adults should install and replace batteries.
- Do not recharge non-rechargeable batteries.
- Remove dead or exhausted batteries.
- Insert batteries correctly. Match positive and negative signs.
- The supply terminals are not to be short circuited.
- Do not use rechargeable batteries.
- Do not mix alkaline, standard (carbon-zinc), or rechargeable (nickel-cadmium) batteries.
- Do not mix old and new batteries.
- Only the batteries of the same or equivalent type recommended to be used.
- Do not dispose batteries in a fire; they may explode.
- Dispose of batteries safely.

### ATTENTION ADULTS—TO REPLACE BATTERIES

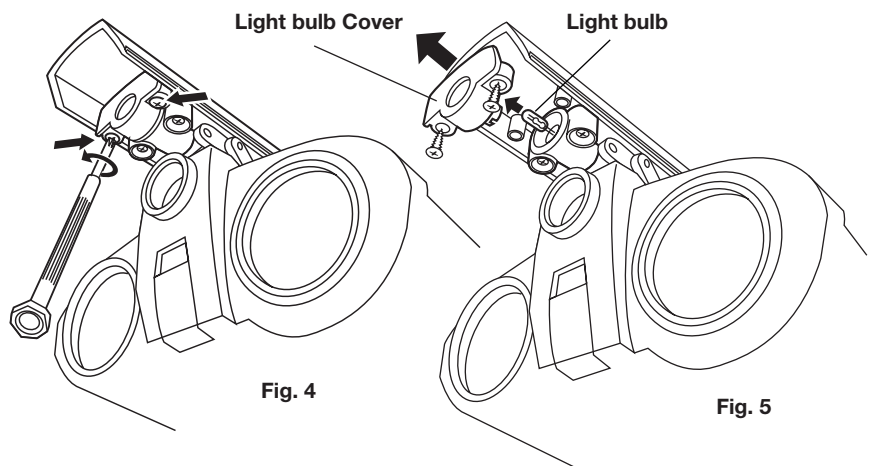
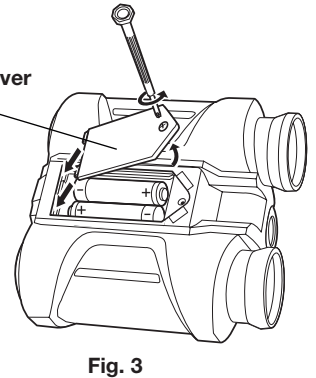
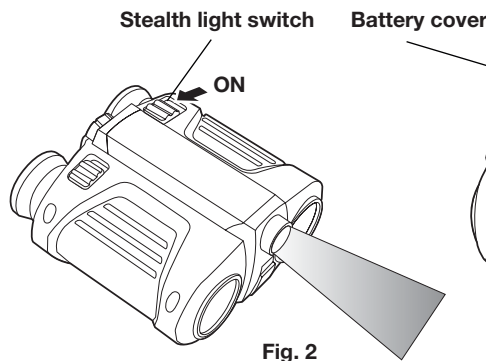
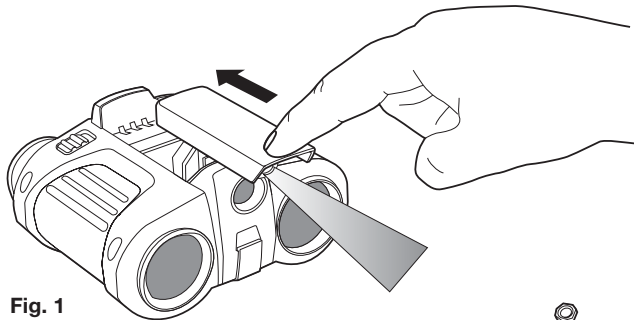
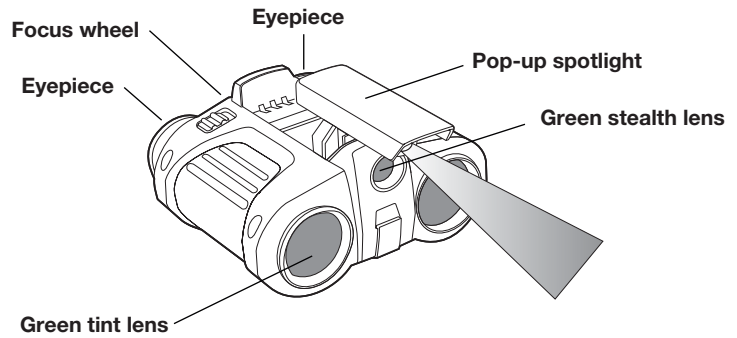
Spy Night Scope requires 2 AAA (LR03) batteries, not included.

1. Locate the battery compartment on the base of the Spy Night Scope. Use a small Phillips head screwdriver to loosen the screw, and remove the **BATTERY COVER**.
2. Remove exhausted batteries.
3. Place new batteries in compartment as shown (Fig. 3).
4. Replace the battery cover and tighten screw.

### ADULTS—TO REPLACE THE LIGHT BULB

The Spy Night Scope requires 1 2.5V 300MA Bi-pin **LIGHT BULB**, included. Replacements should be available in most electronics or hardware stores. Only adults should install and replace the light bulb.

1. While looking through the scope, slide the Stealth light switch on the right side towards the center of the scope.
2. Use a small Phillips head screwdriver to remove the screws from the light bulb cover (Fig. 4).
3. Push the light bulb cover straight out (Fig. 5).
4. Remove the old light bulb (you may have to use pliers or a small screwdriver to help pull it out).
5. Make sure that the "legs" on the new light bulb are straight, and insert one in each of the holes of the light bulb holder.
6. Replace the light bulb cover and tighten the two screws.



### ⚠ WARNING:

**CHOKING HAZARD: Small Parts**  
Not for Children Under 3 Years.

**CAUTION:** Viewing the sun can cause permanent eye damage. Do not view the sun with this product or even the naked eye.

Contains functional sharp points on the bulb, only adults should replace it.

SPY NIGHT SCOPE 70036-4000 1/06

IF YOU HAVE ANY QUESTIONS, PLEASE CONTACT US AT  
1-800-247-6570  
WWW.WILDPLANET.COM  
©2006 Wild Planet Toys, Inc.  
P.O. Box 194087 San Francisco, CA 94119-4087

