

**Important: Please save this instruction sheet. It contains valuable product information.**

**CAUTION: Do not aim at eyes or face. To avoid injury: Use only discs designed for this product. Do not modify discs or disc shooter.**

### BEFORE USING SPY DISC SHOOTER™

1. Remove the **2 ZIP TIES** that secure the discs in the **DISC CHAMBER**. (Fig. 1)
2. Snap the **GRIP HANDLE** into place on launcher. **Listen to ensure both sides snap loudly into place.** Once in place, grip is permanently attached. (Fig. 1)
3. Look behind the cardboard insert inside the box and remove the target.

### HOW TO USE YOUR SHOOTER

1. Load up to 10 **DISCS** in the disc chamber and close the lid.
2. Move **POWER SWITCH** to ON. (Fig. 4)
3. Take aim and squeeze the **TRIGGER** to launch a disc. (Fig. 2)
4. Squeezing the trigger rapidly will launch multiple discs.
5. When finished playing, set the power switch to OFF.
6. When performance fades it is time to change the batteries.

**NOTE:** The launcher will not fire discs properly if held sideways or upside down.

### SPY DISC SHOOTER VARIATIONS

**Target Shoot:** Set the target up at different distances and test your skill.

**Practice:** Set up a row of empty soda cans and try to hit them.

As your skills improve, try launching from farther and farther away.

**IF TWO SPIES EACH HAVE A SPY DISC SHOOTER, 2-man combat and training exercises are possible!** Use the back portion of your launcher as a shield to block incoming discs. (Fig. 3)

**Shoot n Block:** Each disc that hits the other player is worth 1 point for a maximum score of 10. The player with the highest score wins.

**Disc Tag:** One player is IT and chases the other player until tagging him with a disc. Then turn and run, because now he's trying to tag you!

**TIP:** With practice you can develop an arm-swing motion that lets you go from blocking to shooting and back to blocking quickly.

### IMPORTANT

- Only Spy Disc Shooter discs will fit in the chamber. Use of other types of discs may jam the launcher.

### WARNING — PLAY SAFE!

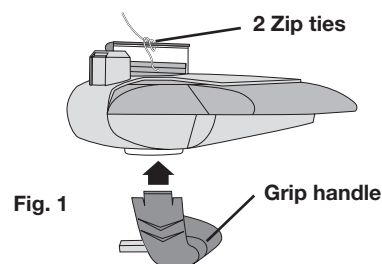
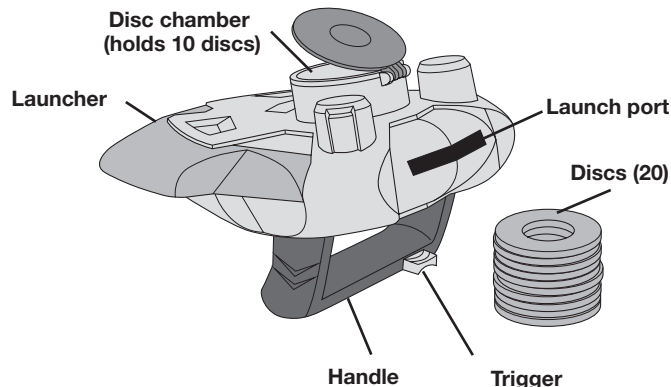
- Do not aim your launcher at anyone's face or eyes.
- Never load anything in the disc chamber besides Spy Disc Shooter discs.

### BATTERY SAFETY INFORMATION

- Only adults should install and replace batteries.
- Do not recharge non-rechargeable batteries.
- Remove dead or exhausted batteries.
- Insert batteries correctly. Match positive and negative signs.
- The supply terminals are not to be short circuited.
- Do not use rechargeable batteries.
- Do not mix alkaline, standard (carbon-zinc), or rechargeable (nickel-cadmium) batteries.
- Do not mix old and new batteries.
- Only the batteries of the same or equivalent type recommended to be used.
- Do not dispose of batteries in a fire; they may explode.
- Dispose of batteries safely.

### ATTENTION ADULTS: TO REPLACE BATTERIES

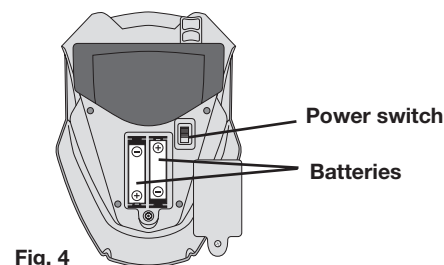
1. Use a small Phillips head screwdriver to loosen the screw on the battery compartment.
2. Open battery cover. Remove both exhausted batteries.
3. Place 2 new AA (LR06) batteries in compartment as shown (Fig. 4).
4. Replace the battery cover and tighten screw.



Shoot!



Block!



### SPY DISC SHOOTER™ REFILL PACKS No. 70206

40 replacement discs to keep you shootin'!  
Available at selected retailers and online  
at [www.shopwildplanet.com](http://www.shopwildplanet.com)



SPY DISC SHOOTER 70159-4000 PR 2/07

IF YOU HAVE ANY QUESTIONS, PLEASE CONTACT US AT  
1-800-247-6570  
[WWW.WILDPLANET.COM/HELP](http://WWW.WILDPLANET.COM/HELP)  
Wild Planet Entertainment, Inc., P.O. Box 194087  
San Francisco, CA 94119-4087